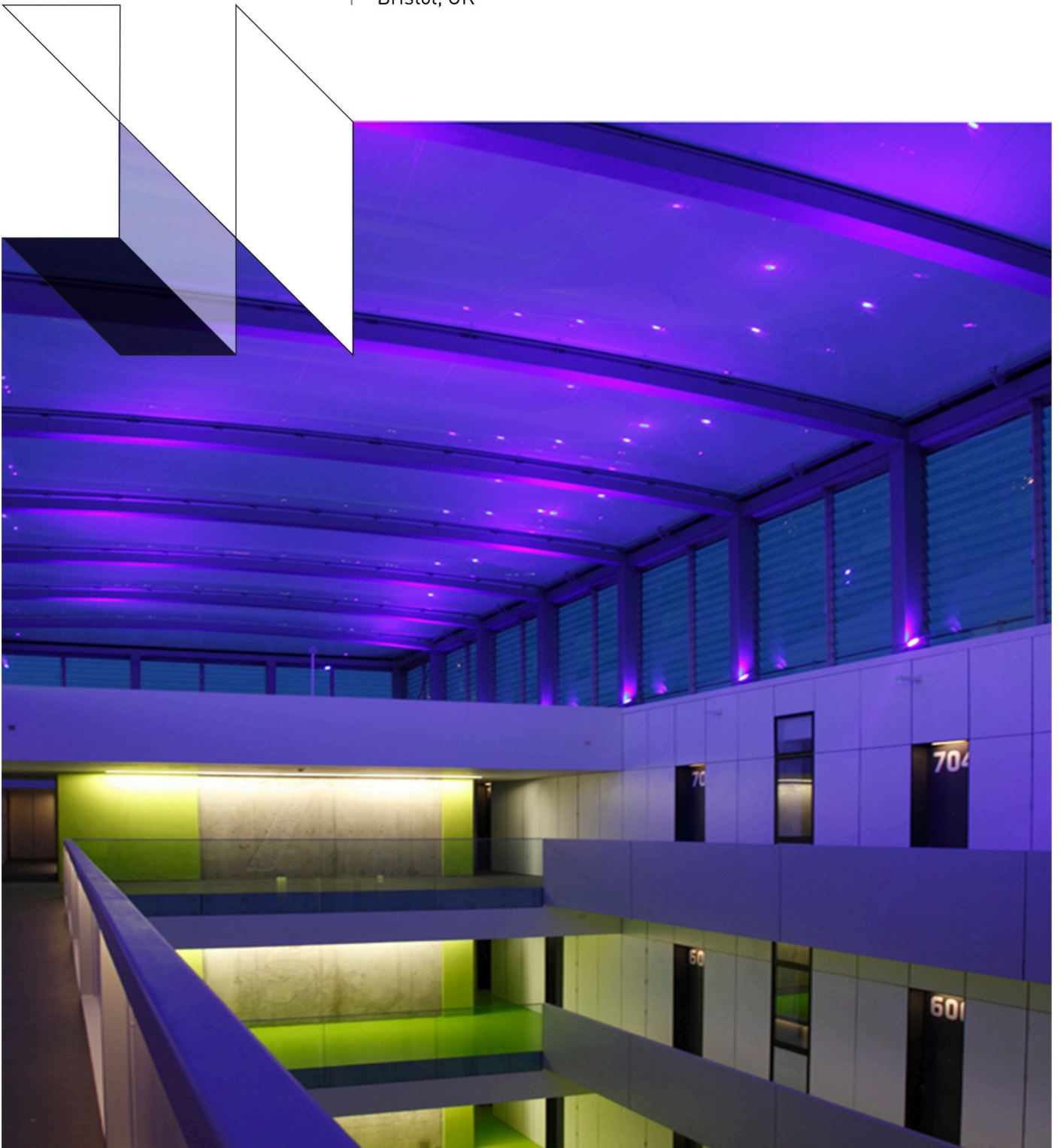


Lakeshore  
Bristol, UK





## Specifications

**Project** Lakeshore

**Application** Roof

**Location** Bristol, UK

**Size** 5,866 ft<sup>2</sup> / 545 m<sup>2</sup>

**Architect** Ferguson Mann Architects

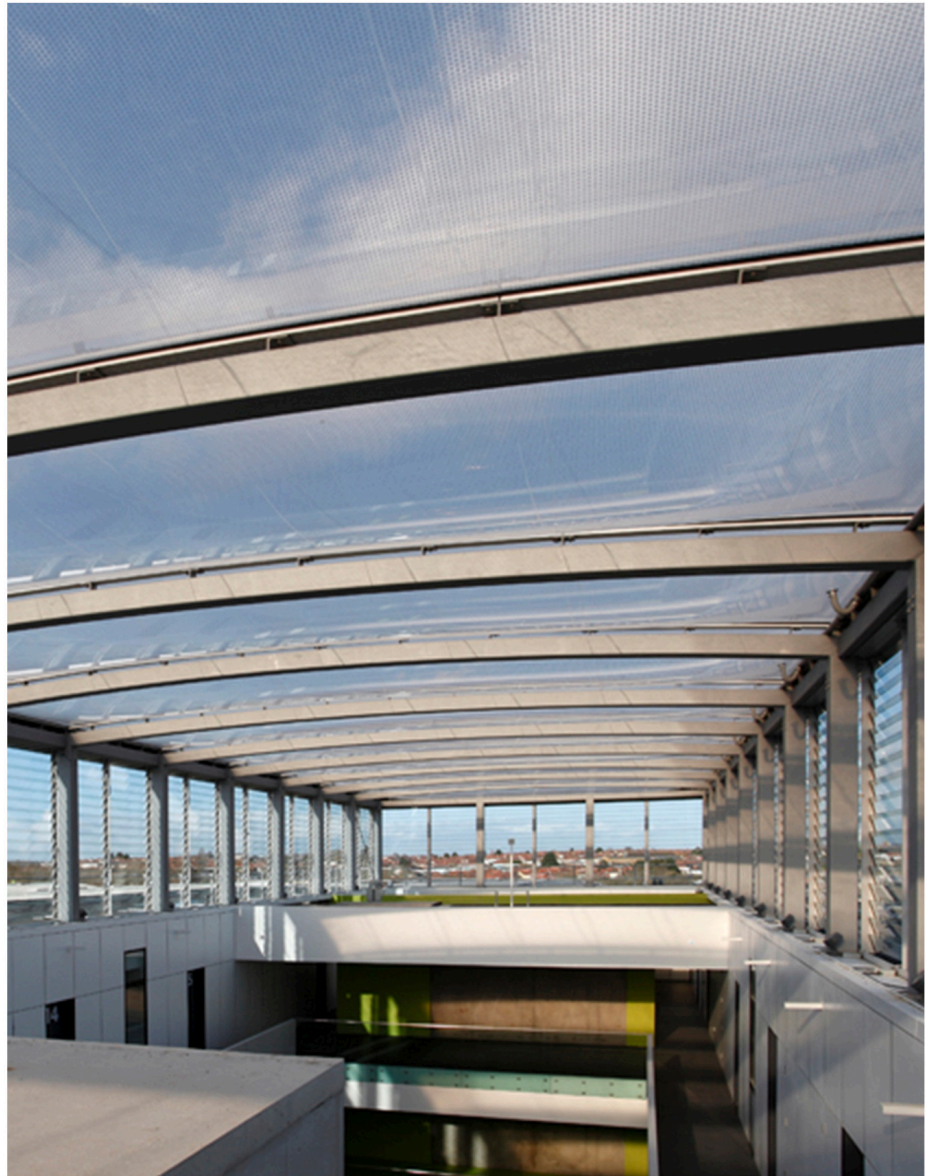
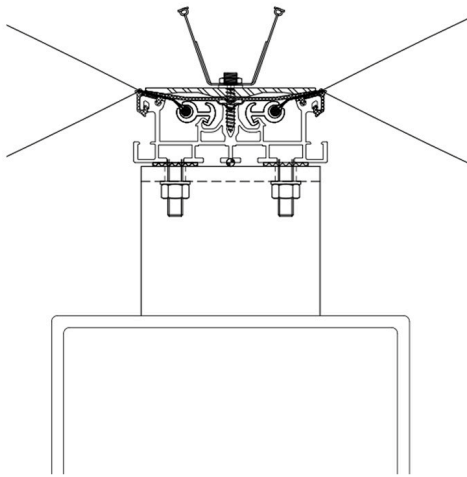
## Novum Systems

### Structural

**AES** Curved hollow steel members that are media blasted, primed and painted provide structural support to the roof.

### Membrane

**AFP** Aluminum profiles with an anodized finish hold two layer ETFE pillows. The top layer of ETFE features a screen print for solar control.



## Design Solution

Novum offered a turnkey solution including design, manufacture and installation for two layer ETFE AFP-System, steelwork and glass louvres on the award winning Lakeshore residential development. The lightweight translucent roof consists of 14 rectangular pillows printed for solar control, and the walls have motorised glass louvres which allow light and ventilation to flood the centre of the building. The resulting bright, spacious area is a significant feature of this sustainable building and allows abundant natural light to the internal balcony levels below.

